

PLEASE CHECK WWW.MOLEX.COM FOR LATEST PART INFORMATION

Part Number: [0449150011](#)
Status: **Active**
Overview: [modular_plugs_jacks](#)
Description: Modular Plug, Category 6, Long Body, Shielded, 8/8, without Strain Relief

Documents:

[3D Model](#) [Product Specification PS-44915-003 \(PDF\)](#)
[Drawing \(PDF\)](#) [RoHS Certificate of Compliance \(PDF\)](#)

Agency Certification

UL E107635

General

Product Family Modular Jacks/Plugs
 Series [44915](#)
 Component Type Wire Plug
 Magnetic No
 Overview [modular_plugs_jacks](#)
 Performance Category 6
 Power over Ethernet (PoE) N/A
 Product Name RJ45

Physical

Color - Resin Clear
 Durability (mating cycles max) 500
 Inverted / Top Latch N/A
 Lightpipes/LEDs None
 Material - Metal Phosphor Bronze
 Material - Plating Mating Gold
 Material - Plating Termination Tin
 Material - Resin Polycarbonate
 Orientation N/A
 PCB Locator No
 PCB Retention None
 Packaging Type Bag
 Panel Mount N/A
 Ports 1
 Positions / Loaded Contacts 8/8
 Temperature Range - Operating -40°C to +85°C
 Termination Interface: Style N/A
 Wire/Cable Type Round

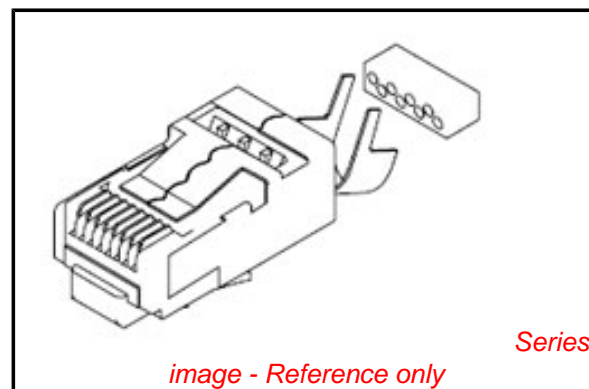
Electrical

Current - Maximum per Contact 1.5A
 Grounding to Panel N/A
 Shielded Yes
 Voltage - Maximum 125V

Material Info

Reference - Drawing Numbers

Packaging Specification PK-44915-003
 Product Specification PS-44915-003
 Sales Drawing SD-44915-001



EU RoHS

ELV and RoHS Compliant

REACH SVHC

Not Reviewed

Halogen-Free

Status

Not Halogen-Free

China RoHS



Need more information on product environmental compliance?

Email productcompliance@molex.com
 For a multiple part number RoHS Certificate of Compliance, [click here](#)

Please visit the [Contact Us](#) section for any non-product compliance questions.

Search Parts in this Series

[44915Series](#)

Mates With

FCC 68 Jacks

Application Tooling | FAQ

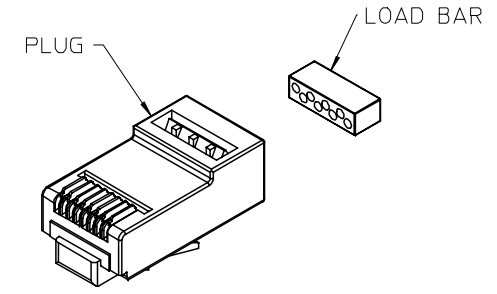
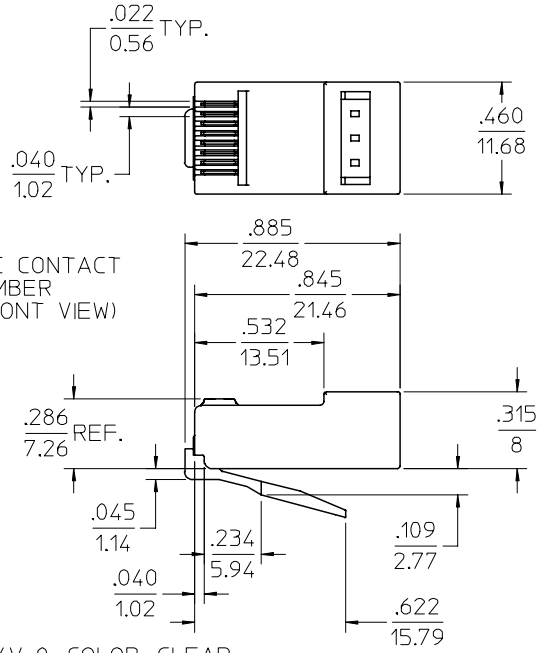
Tooling specifications and manuals are found by selecting the products below. Crimp Height Specifications are then contained in the Application Tooling Specification document.

Global

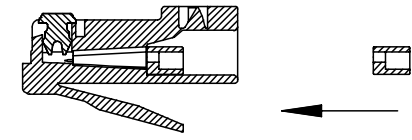
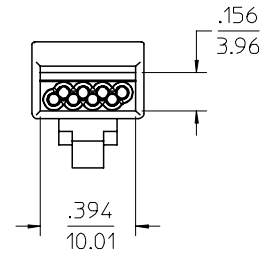
Description	Product #
Hand Crimp Tool	0622020500
ServiceGrade™	0640160044
Hand Tool, Modular Plug	

This document was generated on 06/08/2010

PLEASE CHECK WWW.MOLEX.COM FOR LATEST PART INFORMATION



ISOMETRIC VIEW
(NOT TO SCALE)



- NOTES:
- MATERIAL:
PLUG: POLYCARBONATE, 94V-0, COLOR: CLEAR,
LOAD BAR: POLYCARBONATE, 94V-0, COLOR: CLEAR,
CONTACTS: PHOSPHOR BRONZE.
 - CONTACT PLATING:
50 MICROINCHES / 1.27 MICROMETERS MIN. SELECT GOLD OVER
100 MICROINCHES / 2.54 MICROMETERS MIN. NICKEL UNDERPLATE.
 - PRODUCT SPECIFICATION: PS-44915-003
 - PACKAGING SPECIFICATION:
ALL PARTS ARE BULK PACKED PER MOLEX PACKAGING
SPECIFICATION PK-44915-003.
 - FOR USE WITH 22 TO 28 AWG SOLID OR STRANDED
CONDUCTORS WITH AN INSULATION O.D. RANGE OF .037/0.94 -
.042/1.07 AND A JACKET O.D. OF .217/5.5 - .256/6.5.
 - EIGHT CONDUCTOR MODULAR PLUG, CONFORMS TO F.C.C.
REGULATION PART 68.5 FOR MODULAR PLUGS.
 - PLUG REQUIRES THE LOAD BAR.
 - ALL UNTOLERANCED DIMENSIONS ARE FOR REFERENCE ONLY.
 - PLUG EXCEEDS CATEGORY 5 EIA/TIA 2840, ANNEX B
SPECIFICATION, PERFORMANCE TUNED TO CABLES MEETING
PROPOSED CATEGORY 6 SPECIFICATIONS.
 - THE PRIMARY SHIPPING CARTON WILL BE LABELED "COMPLIANT
TO RoHS DIRECTIVE 2002/95/EC AND ELV ANNEX II OF
DIRECTIVE 2000/53/EC". CARTONS WITHOUT THIS LABEL
MAY NOT BE COMPLIANT.
 - THIS PART CONFORMS TO CLASS B REQUIREMENTS OF
COSMETIC SPECIFICATION PS-45499-002.

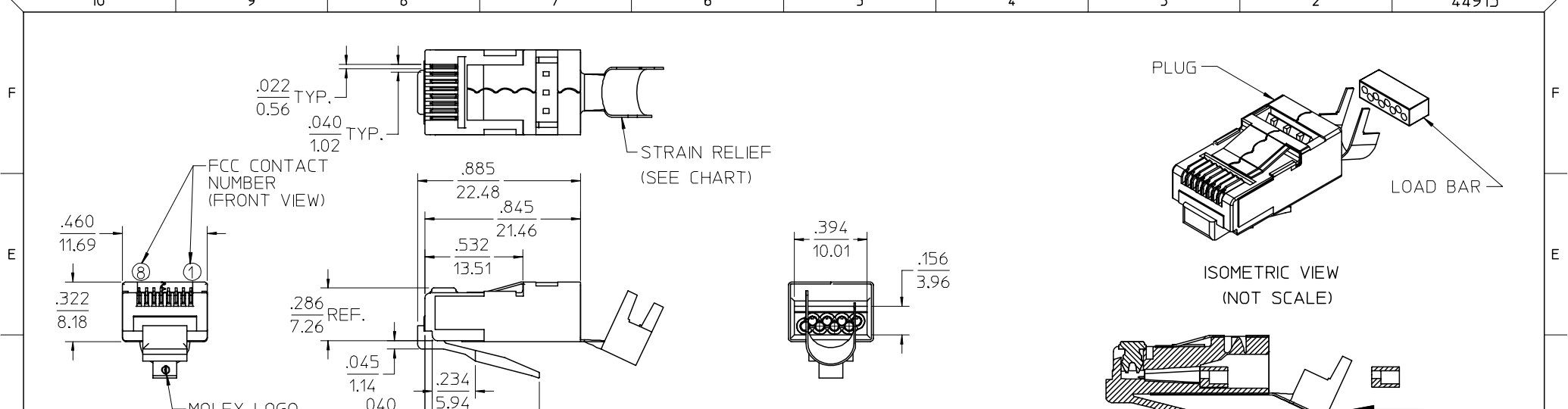
MATERIAL NUMBER	MOLEX LOGO
449150001	YES
449150002	NO
SCALE 2:1	DESIGN UNITS INCH
THIRD ANGLE PROJECTION	

UPDATE NOTE 5 EC NO: UCP2007-1736 DRW: JRELL 2007/01/29 CHK: DLSCHM1DT 2007/01/30 APPR: FSWJTH 2007/02/01	QUALITY SYMBOLS
	= 0 = 0
REV	DESCRIPTION
A5	

GENERAL TOLERANCES (UNLESS SPECIFIED)	
	INCH
4 PLACES	± .005
3 PLACES	± .004
2 PLACES	± .003
1 PLACE	± .002
ANGULAR ±1/2°	
DRAFT WHERE APPLICABLE MUST REMAIN WITHIN DIMENSIONS	

DIMENSION STYLE IN/MM	
DRAWN BY	DATE
MARGUL IS	01/01/12
CHECKED BY	DATE
MARGUL IS	01/01/12
APPROVED BY	DATE
COMERC I	01/01/12
MATERIAL NO. SEE CHART	

TITLE RJ-45 PLUG FOR PROPOSED CAT 6 SPECIFICATIONS	
MOLEX INCORPORATED	
DOCUMENT NO. SD-44915-001	SHEET NO. 1 OF 2



- NOTES:
- MATERIAL:
 PLUG: POLYCARBONATE, 94V-0, COLOR: CLEAR.
 LOAD BAR: POLYCARBONATE, 94V-0, COLOR: CLEAR.
 CONTACTS: PHOSPHOR BRONZE,
 SHIELD: BRASS.
 - CONTACT PLATING:
 50 MICROINCHES / 1.27 MICROMETERS MIN. SELECT GOLD OVER
 100 MICROINCHES / 2.54 MICROMETERS MIN. NICKEL UNDERPLATE.
 SHIELD:
 100 MICROINCHES / 2.54 MICROMETERS BRIGHT TIN OVER
 30 MICROINCHES / 0.76 MICROMETERS COPPER UNDERPLATE.
 - PRODUCT SPECIFICATION: PS-44915-003
 - PACKAGING SPECIFICATION:
 ALL PARTS ARE BULK PACKED PER MOLEX PACKAGING
 SPECIFICATION PK-44915-003.
 - FOR USE WITH 22 TO 28 AWG SOLID OR STRANDED
 CONDUCTORS WITH AN INSULATION O.D. RANGE OF .037/0.94 -
 .042/1.07 AND A JACKET O.D. OF .217/5.5 - .256/6.5.
 - EIGHT CONDUCTOR MODULAR PLUG CONFORMS TO F.C.C.
 REGULATION PART 68.5 FOR MODULAR PLUGS.
 - PLUG REQUIRES THE LOAD BAR.
 - ALL UNTOLERANCED DIMENSIONS ARE FOR REFERENCE ONLY.
 - PLUG EXCEEDS CATEGORY 5 EIA/TIA 2840, ANNEX B
 SPECIFICATION, PERFORMANCE TUNED TO CABLES MEETING
 PROPOSED CATEGORY 6 SPECIFICATIONS.
 - THE PRIMARY SHIPPING CARTON WILL BE LABELED "COMPLIANT
 TO RoHS DIRECTIVE 2002/95/EC AND ELV ANNEX II OF
 DIRECTIVE 2000/53/EC". CARTONS WITHOUT THIS LABEL
 MAY CONTAIN PRODUCT WITH TIN-LEAD IN THE SHIELD.
 - THIS PART CONFORMS TO CLASS B REQUIREMENTS OF
 COSMETIC SPECIFICATION PS-45499-002.

MATERIAL NUMBER	MOLEX LOGO	STRAIN RELIEF
449150011	YES	NO
449150012	NO	NO
449150021	YES	YES
449150022	NO	YES

UPDATE NOTE 2 & 5 EC NO: UCP2007-1736 DRWN: BELL 2007/01/29 CHKD: LSCMIDT 2007/01/30 APPR: FSWITH 2007/02/01	QUALITY SYMBOLS ▽=0 ▽=0	GENERAL TOLERANCES (UNLESS SPECIFIED)	DIMENSION STYLE IN/MM	SCALE 2:1	DESIGN UNITS INCH	THIRD ANGLE PROJECTION
		DRAWN BY MARGUL IS	DATE 01/01/12	CHECKED BY MARGUL IS	DATE 01/01/12	APPROVED BY COMERC I
MATERIAL NO. SEE CHART	DOCUMENT NO. SD-44915-001	SHEET NO. 2 OF 2	THIS DRAWING CONTAINS INFORMATION THAT IS PROPRIETARY TO MOLEX INCORPORATED AND SHOULD NOT BE USED WITHOUT WRITTEN PERMISSION			